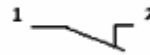
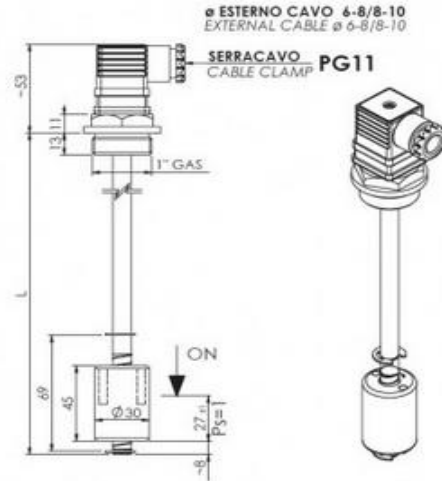


P31 ELECTROMAGNETIC LEVEL SENSOR



Normalde Kapalı kontakt

Use	Mineral oils-Fuels-Water
Fixing	Aluminum Anodized 1"Gas
Stem	Brass
Float	Foamed nylon
Seeger	Phosphorous bronze
O-Ring	NBR
Electrical connection	Connector DIN 43650
Type of contact	Reed N.O./N.C.(SPDT)
Max switch capacity	80 W (50 w SPDT)
Max switch current	1 A (1 A SPDT)
Max switch voltage	250 Vac (220 Vac SPDT)
Protection degree	IP65
Action type	1B
Pollution situation	normal
Fluid specific weight	0,75
Working temperature	15°C / +80 °C
Weight	160 gr (for L= 100mm.)

1 2 (Normally closed)	Fiyat Euro.-
P31100-100	
P31150-100	
P31200-100	
P31250-100	
P31300-100	
P31350-100	
P31400-100	
P31450-100	
P31500-100	



Normalde Açık/Kapalı kontakt

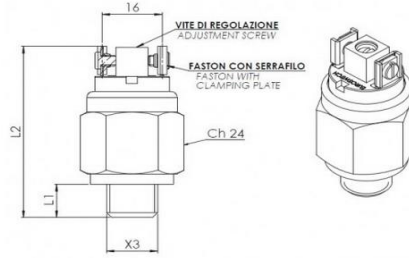
3c 2NC 1NO (Normally open & closed)	Fiyat Euro.-
P31100-500	
P31150-500	
P31200-500	
P31250-500	
P31300-500	
P31350-500	
P31400-500	
P31450-500	
P31500-500	

*The contact can be converted from N.C to N.O by rotating the float upside down

SPDT Contact

For customized version (length, temperature / 80°C, etc) please contact Euro switch

For a correct use please refer to "General Notes" in the Euro switch sensors catalogue, edition 10/2008.



Mod.41V Diaphragm pressure switch, screw terminals

* Case	Zinc plated steel or brass (on request inox)
* Electric contacts	Silver Agni, on request gold plated
* Electric condition	N.O (bordeaux) or N.C.(blue)
* Max switched voltage	48 V (250 V on request)
* Max switched current	0,5 A
* Max fluid temperature	80 a 120°C depending on diaphragm
* Mechanical working life	10 6 operations
* Electrical working life	10 6 operations
* Action type	1B
* Pollution situation	normal
* Protection degree	IP 00
* With cover 3015001	IP 54 (see page 87)
* With cap 3900001	IP 65 (see page 87)
* In accordance with EN 60730-I	
* Insert diaphragm code (see page 86)	
	1 NBR- 2 FKM (viton)-3 EPDM CH-4 CR- 5 Silicone- 6 HNBR
* Weight	75 gr

Kod-Part No.

Zinc plated steel case

Electrical contact Norm.open	Electrical contact Norm.closed	Thread	Setting range bar	Tolerance at 20°C bar
41V 1 0 2 * 2	41V 2 0 2 * 2	1/4" gas conico- conical	1-10	0,5
41V 1 0 1 * 3	41V 2 0 1 * 3	1/8" gas conico-conical		
41V 1 0 2 * 3	41V 2 0 2 * 3	1/4" gas conico- conical	10-20	1
41V 1 0 1 * 4	41V 2 0 1 * 4	1/8" gas conico-conical		
41V 1 0 2 * 4	41V 2 0 2 * 4	1/4" gas conico- conical	20-50	2
	300 bar	800 bar	Massima pressione statica- Max static presure	

Tercih edilen Ürün Kodları	Ayarlanabilir basınç	Fiyat Euro.-
41V 10212 NO	1-10 bar	
41V 10213 NO	10-20 bar	
41V 10214 NO	20-50 bar	

41V 20212 NC	1-10 bar	
41V 20213 NC	10-20 bar	
41V 20214 NC	20-50 bar	

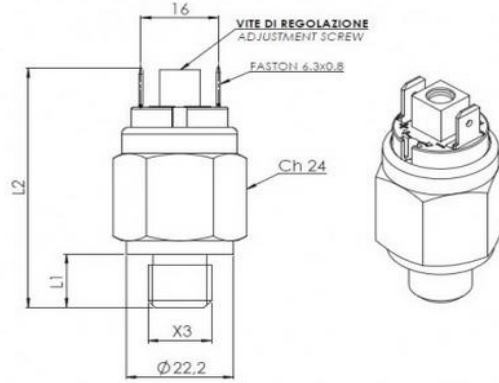
41 11122 N.O.	1-10 bar G1/8"	
41V 10113 N.O.	10-20 bar G1/8"	
41V 10114 N.O.	20-50 bar G1/8 "	

5061602060 termostat sw.	T60 DT10 G3/8"	
--------------------------	----------------	--





40
Piston pressure switch ≤ 48 V



Mod.40 Piston pressure switch 48V

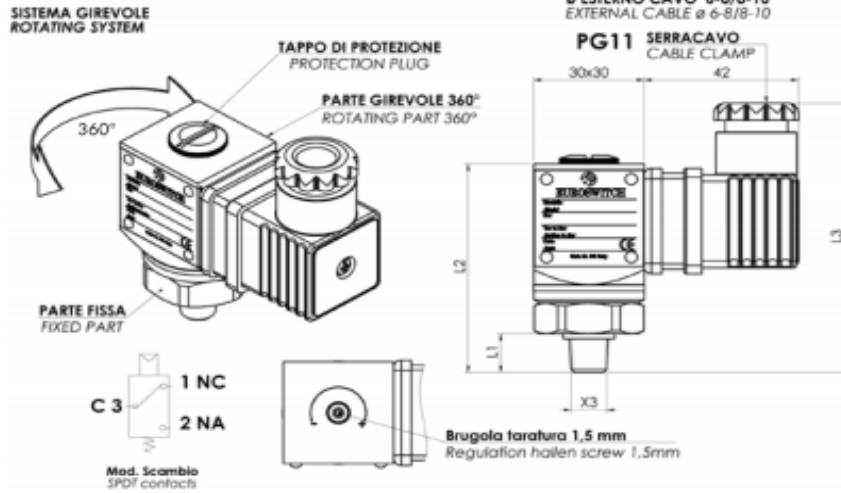
* Case	Zinc plated steel
* Electric contacts	Silver Agni, on request gold plated
* Electric condition	N.O (bordeaux) or N.C.(blue)
* Max switched voltage	48 V
* Max switched current	0,5 A
* Max fluid temperature	100°C
* Mechanical working life	10 5 operations (10-300 bar)
* Electrical working life	10 5 operations
* Action type	1B
* Pollution situation	normal
* Protection degree	IP 00
* With cover 3015001	IP 54 (see page 87)
* With cap 3900001	IP 65 (see page 87)
* With connector 3900200	IP 65 (see page 87)
* In accordance with EN 60730-I	
* O-Ring	NBR+Teflon
* Piston	AISI 303
* Weight	75 gr

Kod -Part Number	Electrical contact norm.open	Electrical contact norm.closed	Thread	Setting range bar	Tolerance at 20°C bar
40 1 0 1 1 6	40 2 0 1 1 6	40 2 0 1 1 6	1/8" gas conico-conical	50-150	
0	40 2 0 3 1 6	40 2 0 3 1 6	M10*1 conico-conical		
40 1 0 H 1 6	40 2 0 H 1 6	40 2 0 H 1 6	1/4" cilindrico-cylindrical		
40 1 0 1 1 7	40 2 0 1 1 7	40 2 0 1 1 7	1/8" gas conico-conical	100-300	
40 1 0 3 1 7	40 2 0 3 1 7	40 2 0 3 1 7	M10*1 conico-conical		
40 1 0 H 1 7	40 2 0 H 1 7	40 2 0 H 1 7	1/4" cilindrico-cylindrical		

600 bar

Massima pressione statice-Max static pressure

Tercih edilen Ürün Kodları	Fixed basınç aralığı	Fiyat Euro.-
40 10H17 NO	100-300 bar	
40 20H17 NC	100-300 bar	



24 Pressure switch with SPDT contacts

Case	Anodized aluminium
Threaded fitting	Zinc plated steel (on request stainless steel)
Max switched voltage	250 Vac
Max switched current	5 (1) A
Max fluid temperature	80° to 120°C depending on diaphragm
Action type	1B
Pollution situation	normal
Mechanical working life	10 ⁶ diaphragm version 10 ⁵ piston version
Protection degree	IP65
With connector according to UNI EN 175301-803 (DIN43650)	
Fixed Hysteresis diaphragm	Approximately 10÷30% depending of setting value
Fixed Hysteresis piston	approximately 10÷40% depending of setting value
Weight	~ 190 gr

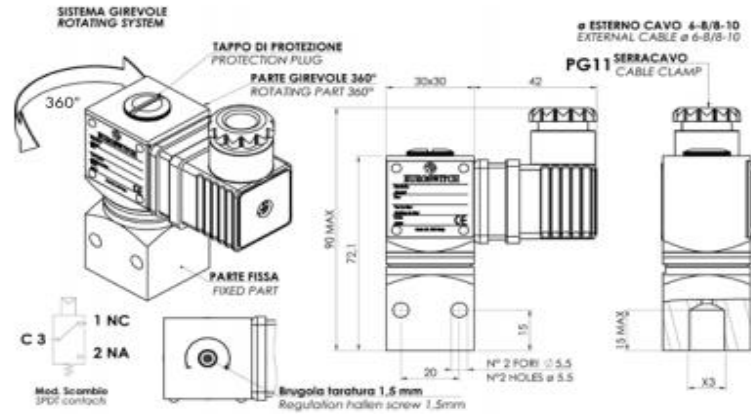
Codice - Part Number

		Setting range bar	Tolerance at 20° C bar	Max Overpressure limit bar	Max Working pressure bar
Membrana diaphragm	24 0 0 0 0 1	0,3 - 5	± 0,15	300	150
	24 0 0 0 0 2	1 - 10	± 0,5	300	150
	24 0 0 0 0 3	10 - 25	± 1	300	150
	24 0 0 0 0 4	25 - 80	± 2,5	300	150
Pistone piston	24 0 0 0 1 5	50 - 200	± 2÷10	800	450
	24 0 0 0 1 6	100 - 400	± 3÷15	800	450

Threads (X3)	L1	L2	L3
1 1/8" Gas Conico	10	62	80
2 1/4" Gas conical	12	64	82
6 1/4" Gas cylindrical	10	62	80
G 1/8" Gas cylindrical	10	62	80

Diaphragms / Seal materials	
1	NBR
2	FKM (standard)
3	EPDM CH
4	CR
5	Sylicon
6	HNBR

Kod	Ölçü	Bar	Fiyat Euro.-
24 20 215	G 1/4	30-150	



24F Pressure switch with SPDT contacts - female thread

Case	Anodized aluminium
Threaded fitting	Zinc plated steel (on request stainless steel)
Max switched voltage	250 Vac
Max switched current	5 (1) A
Max fluid temperature	80° to 120°C depending on diaphragm
Action type	1B
Pollution situation	normal
Mechanical working life	10 ⁶ diaphragm version 10 ⁵ piston version
Protection degree	IP65
With connector according to UNI EN 175301-803 (DIN43650)	
Fixed Hysteresis diaphragm	Approximately 10÷30% depending of setting value
Fixed Hysteresis piston	approximately 10÷40% depending of setting value
Weight	~ 265 gr

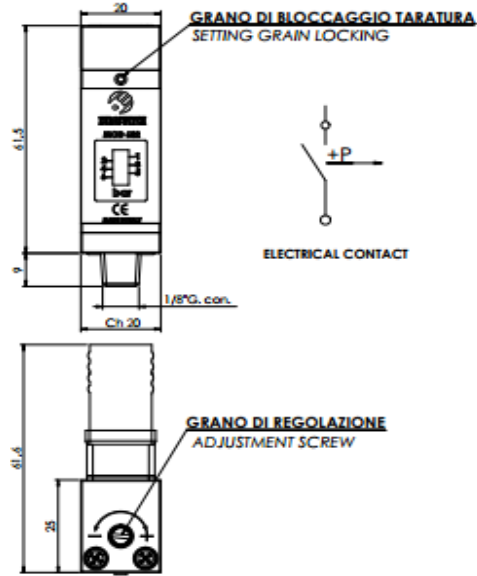
Codice - Part Number

	Setting range bar	Tolerance at 20° C bar	Max Overpressure limit bar	Max Working pressure bar
Membrana diaphragm	24F 0 0 0 0 1	0,3 - 5	± 0,15	300
	24F 0 0 0 0 2	1 - 10	± 0,5	300
	24F 0 0 0 0 3	10 - 25	± 1	300
	24F 0 0 0 0 4	25 - 80	± 2,5	300
Pistone piston	24F 0 0 0 1 5	50 - 200	± 2÷10	800
	24F 0 0 0 1 6	100 - 400	± 3÷15	800

Threads (X3)	
G	1/4" Gas cylindrical
G	1/8" Gas cylindrical

Diaphragms / Seal materials	
1	NBR
2	FKM (standard)
3	EPDM CH
4	CR
5	Sylicon
6	HNBR

Kod	Ölçü	Bar	Fiyat Euro.-
24F 20215	G 1/4 M	30-150	



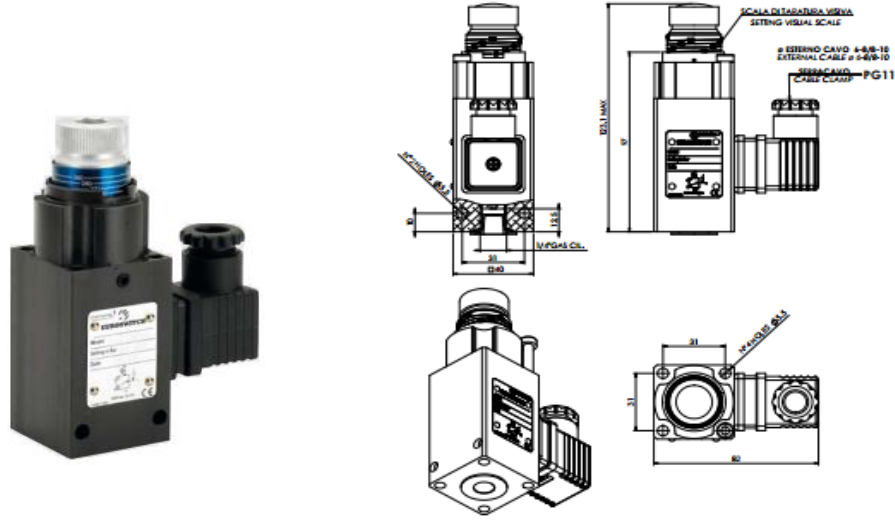
682 Pressure switch with settings visual scale

Case	Anodized aluminium
Threaded fitting	Brass
Label	Optical polycarbonate
Electrical connection	Connector DIN43650-C int-9,4
Type of contact	Reed SPST NO
Max switch voltage	48V
Max switch current	0,5A
Max switch capacity	10W
Max fluid temperature	60° C
Action type	1B
Pollution situation	normal
Mech. and electrical working life	10 ⁶
Protection degree	IP40
Tightening torque	15 - 20 Nm
Weight	~ 105 gr

Codice - Part Number

	Thread	Setting range bar
682 1 3 1 1 1	1/8" Gas conical	1 - 6
Max Overpressure Limit 20 bar		

Kod	Ölçü	Bar	Fiyat Euro.-
682 13 111 pnö.sw.	G 1/8	1-6 bar	



692 Piston pressure switch with adjusting knob

Case	Anodized aluminium
Electric contacts	SPDT Silver
Max fluid temperature	100°C
Electrical characteristics	5 (4) A / 14 Vdc 4 (3) A / 30 Vdc 5 (3) A / 125 Vac 5 (1) A / 250 Vac
Fixed hystereis	approximately 10% of setting value
Action type	1B
External pollution situation	normal
Mechanical working life	10 ⁶ operations
Fixing	Manifold connection - G 1/4" F
Protection degree	IP65
with connector according to UNI EN 175301-803 (DIN43650)	
Seal	NBR+Teflon
Weight	460 gr (Approximately)
Supplied with gasket and fixing screws	

Codice - Part Number

	Setting range bar	Tolerance
692 2 3 0 1 5	8 - 150	± 2%
692 2 3 0 1 6	40 - 400	± 2%
Max Overpressure Limit 900 bar		

Kod	Ölçü	Bar	Fiyat Euro.-
692 2 3 0 1 6 hyd.sw.	G 1/4	40-400 bar	