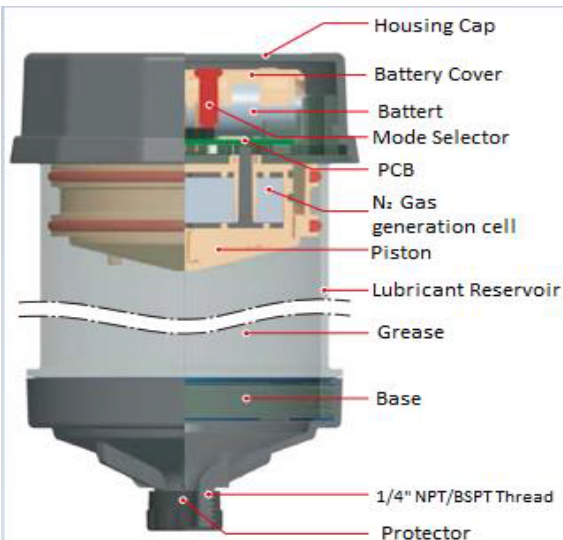




Overview

The LUBRIFlxx EVO, an electrochemical automatic single point lubricator operates based on the proven technology of electrochemical reaction which generates inert Nitrogen (N₂) gas through the systematic use of an electrolyte and electrical energy. With five different present dispensing rates of 1,3,6,9,12 months, the LUBRIFlxx EVO offers a cost effective solution for a wide variety of industrial applications which contributes to preventive maintenance and cost reduction via reliable and precise lubrication. In addition, the intuitive design of LUBRIFlxx EVO ensures both error-free operation and safe use.

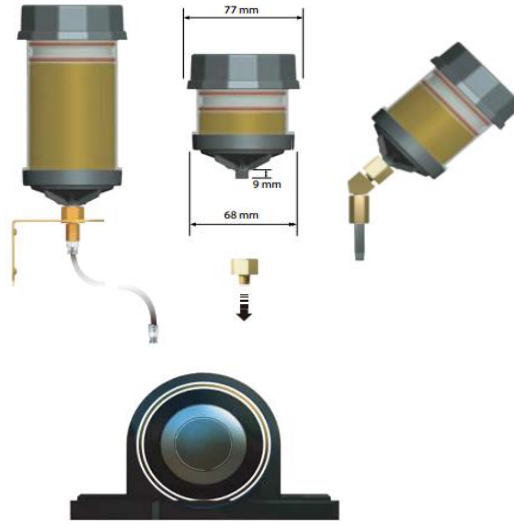


Characteristics

Specifications	Description
Gas Type	Nitrogen (N ₂) gas
Gas Generating Method	Electrochemical
Grease Capacity	60,120,240cc
Housing Design	Transparent plastic
Operating Temp Range	-20°C ~ 55°C
Operating Pressure	Max. 5kgf/cm ² (70 psi)
Remote Installation	Up to 1m (3ft) using a 8mm (5/16") O.D. Tube
Available Dispensing Periods	1,3,6,9 & 12 months
Product Size	60cc: Ø 77mm(3.03") x 92mm (3.62") 120cc: Ø 77mm(3.03") x 112mm (4.41") 240cc: Ø 77mm(3.03") x 157mm (6.18")
Certifications / IP code	ATEX / CE / UL / IP65
Packaging	10 Units/Case

Dispensing Equivalents

Dispensing Period	Dispensing Volume		
	60cc	120cc	240cc
1 Month	2,00cc/day	4,00cc/day	8,00cc/day
3 Month	0,67cc/day	1,33cc/day	2,66cc/day
6 Month	0,33cc/day	0,67cc/day	1,33cc/day
9 Month	0,22cc/day	0,44cc/day	0,89cc/day
12 Month	0,17cc/day	0,33cc/day	0,67cc/day



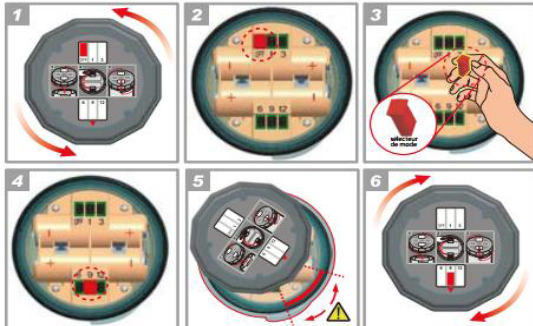
Grease Selection

Refer to following information of available lubricants carefully selected for our products. Please choose the proper lubricant for your specific application. If further information is required, please contact your local supplier or manufacturer.

Grease	Application	Description
PL1	Multi Purpose	High Performance NLGI 2 grade
PL2	Heavy Duty	Excellent Heavy Duty NLGI 2 grade with high viscosity base fluids and additional load carrying capacity.
PL3	High Speed	High Performance NLGI 2 grade for high speed applications (over 3000 rpm or high DN value).
PL4	H1 Food Grade	USDA H1 NLGI 2 grade for applications where a food grade product is required
PL5	High Temperature	Full Synthetic High performance NLGI 2 grade with oxidation stability for high temperature use
PL6	Multi Purpose MoS ₂	High Performance grade with MoS ₂ for better EP and load carrying capacity.
PL7	Low Temperature	Full Synthetic NLGI 1 grade, for extreme low temperature applications.

Note: Please make sure to wipe off the tip of the grease gun with a clean rag before filling your lube line and that the lube line is free of kinks to avoid any possible dispensing delays.

How to set



How to Order

Unity size
 33200-60cm³
 33201-120cm³
 33202-240cm³

Grease Type

- | | |
|-----|-------------------------|
| 001 | Multi Purpose Grease |
| 002 | Heavy Duty Grease |
| 003 | High Speed Grease |
| 004 | H1 Food Grease |
| 005 | High Temperature Grease |
| 006 | High Performance Grease |
| 007 | Low Temperature Grease |
| - | Empty |



Dispensing Period	Dispensing Volume		
	60 cc.	120 cc.	240 cc.
1 Month	2,00 cc./day	4,00 cc./day	8,00 cc./day
3 Month	0,67 cc./day	1,33 cc./day	2,66 cc./day
6 Month	0,33 cc./day	0,67 cc./day	1,33 cc./day
9 Month	0,22 cc./day	0,44 cc./day	0,89 cc./day
12 Month	0,17 cc./day	0,33 cc./day	0,67 cc./day

Grease	Application	Description EVO 1/4 BSP
PL1	Multi Purpose	High Performance NLGI 2 grade
PL2	Heavy Duty	Excellent Heavy Duty NLGI 2 grade with high viscosity base fluids and additional load carrying capacity.
PL3	High Speed	High Performance NLGI 2 grade for high speed applications (over 3000 rpm or high DN value).
PL4	H1 Food Grade	USDA H1 NLGI 2 grade for applications where a food grade product is required
PL5	High Temperature	Full Syntetic High performance NLGI 2 grade with oxidation stability for high temperature use
PL6	Multi Purpose MoS ₂	High Performance grade with MoS ₂ for better EP and load carrying capacity.
PL7	Low Temperature	Fully Synthetic NLGI 1 grade , for extreme low temperature applications.

Code	Description	Details of Grease viscosity	Açıklama	Fiyat Euro.-
33200	LUBRIFixx EVO60	Empty	Boş	
33201	LUBRIFixx EVO120	Empty	Boş	
33202	LUBRIFixx EVO240	Empty	Boş	
33201 001	LUBRIFixx EVO120	PL1 Grease Multiusages	Multi Grease	
33202 001	LUBRIFixx EVO240	PL1 Grease Multiusages	Multi Grease	
33201 002	LUBRIFixx EVO120	PL2 Heavy duty grease	Ağır şartlar Grease	
33202 002	LUBRIFixx EVO240	PL2 Heavy duty grease	Ağır şartlar Grease	
33201 003	LUBRIFixx EVO120	PL3 High speed grease	Yüksek devir/hız	
33202 003	LUBRIFixx EVO240	PL3 High speed grease	Yüksek devir/hız	
33201 005	LUBRIFixx EVO120	PL5 High temp. grease	Yüksek sıcaklık	
33202 005	LUBRIFixx EVO240	PL5 High temp. grease	Yüksek sıcaklık	

Specifications	Description
Gas Type	Nitrogen (N2) gas
Gas Generating Method	Electrochemical
Grease Capacity	60,120,240cc
Housing Design	Transparent plastic
Operating Temp Range	-20°C ~ 55°C
Operating Pressure	Max. 5kgf/cm2 (70 psi)