

TUBOFLEX

Coolant Hose System



REACH **ROHS**
The new EU chemicals legislation COMPLIANT



System 1/4"

Flexible Segment 1/4"

Article Description	Part. No	Fiyat Euro.-
Flexible Segment 1/4" 310 mm Length	225.01	
Flexible Segment 1/4" 1 m Length	225.11	
Segment Length 7,5 m Coil 1/4"	225.75	
Segment Length 15 m Coil 1/4"	225.15	

Connector Npt 1/8"

225.02		4 pcs	
225.A02		50 pcs	

Connector Npt 1/4"

225.03		4 pcs	
225.A03		50 pcs	

Round Nozzle Q 1,5 mm

225.04		4 pcs	
225.A04		50 pcs	

Round Nozzle Q 3 mm

225.05		4 pcs	
225.A05		50 pcs	

Round Nozzle Q 5 mm

225.13		4 pcs	
225.A13		50 pcs	

Flare Nozzle 24*2 mm

225.06		2 pcs	
225.A06		20 pcs	

Flare Nozzle 16 Hole Q 1,5 mm

225.14		2 pcs	
225.A14		20 pcs	



1/4" Double Socket

Fiyat Euro.-

225.34	4 pcs	
225.A34	20 pcs	



1/4" Y Fitting

225.32	2 pcs	
225.A32	20 pcs	



In-Line Valve 1/4"

225.33	2 pcs	
225.A33	10 pcs	



1/8" Male Npt Valve

225.36	2 pcs	
225.A36	10 pcs	



1/4" Male Npt Valve

225.38	2 pcs	
225.A38	10 pcs	



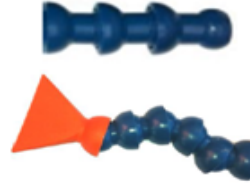
Plier Assembly Syst. 1/4"

300.14	1 pcs	
--------	-------	--



Flexible Segment 1/2"

Article Description	Part. No	Fiyat Euro.-
Flexible Segment 1/2" 320 mm Length	225.07	
Flexible Segment 1/2" 1 m Length	225.12	
Segment Length 7,5 m Coil 1/2"	225.70	
Segment Length 15 m Coil 1/2"	225.17	



Connector Npt 1/2"

225.08	4 pcs	
225.A08	50 pcs	



Connector Npt 3/8"

225.39	4 pcs	
225.A39	50 pcs	



Round Nozzle Q 5 mm

225.09	4 pcs	
225.A09	50 pcs	



Round Nozzle Q 8 mm

225.16	4 pcs	
225.A16	50 pcs	



Round Nozzle Q 11 mm

225.18	4 pcs	
225.A18	50 pcs	



Flare Nozzle 50*2 mm

225.10	2 pcs	
225.A10	20 pcs	



1/4" Double Socket

225.35	4 pcs	
225.A35	20 pcs	



Adapter 1/2" to 1/4"

225.22	2 pcs	
225.A22	20 pcs	



1/2" Female Valve to 1/2" Male

225.50	2 pcs	
225.A50	10 pcs	



1/2" Female Valve

225.55	2 pcs	
225.A55	10 pcs	



Connector Fixing 1/2"

225.37	2 pcs	
225.A37	10 pcs	



Kit Standard Flexible Segment 1/4"

Kit Standard 1/4"

Article Description	Part. No	Fiyat Euro.-
Nr 1 Segment 1/4" 310 mm Length	225.C14	
Nr 1 Connector Npt 1/8"		
Nr 1 Connector Npt 1/4"		
Nr 1 Round Nozzle Q 1,5 mm		
Nr 1 Round Nozzle Q 3 mm		
Nr 1 Round Nozzle Q 5 mm		
Nr 1 Flare Nozzle 24*2 mm		



Maxi Kit System 1/4"

Article Description	Part. No	Fiyat Euro.-
Nr. 8 Segment 1/4" 140 mm Length	400.14	
Nr. 2 Connector Npt 1/8"		
Nr. 4 Connector Npt 1/4"		
Nr. 2 Round Nozzle Q 1,5 mm		
Nr. 2 Round Nozzle Q 3 mm		
Nr. 2 Round Nozzle Q 5 mm		
Nr. 2 Flare Nozzle 24*2 mm		
Nr. 2 Flare Nozzle 16 Hole Q 1,5 mm		
Nr. 2 1/4" Y Fitting		
Nr. 1 1/4" Double Socket		
Nr. 2 In-line Valve 1/4"		
Nr. 1 Plier Assembly System 1/4"		



Kit Standard Flexible Segment 1/2"

Kit Standard System 1/2"

Article Description	Part. No	Fiyat Euro.-
Nr 1 Segment 1/2" 320 mm Length	225.C12	
Nr 1 Connector 1/2"		
Nr 1 Round Nozzle Q 5 mm		
Nr 1 Round Nozzle Q 8 mm		
Nr 1 Flare Nozzle 50*2 mm		



Kit Standard System 1/2"

Article Description	Part. No	Fiyat Euro.-
Nr 1 Segment 1/2" 320 mm Length	225.C38	
Nr 1 Connector 3/8"		
Nr 1 Round Nozzle Q 5 mm		
Nr 1 Round Nozzle Q 8 mm		
Nr 1 Flare Nozzle 50*2 mm		



Composition In-Line Valve 1/4"



Composition Length 300 mm

18 Segments - 1 In-Line Valve 1/4" - 1 Round Nozzle 1,5-3,5 mm

Model Part.No Fiyat Euro.-

Composition In-Line Valve 1/4"	227.01	
--------------------------------	--------	--

Composition Male NPT Valve 1/8" - 1/4"



Composition Length 350 mm

18 Segments - 1 Male NPT Valve - 1 Round Nozzle 1,5-3,5 mm

Model Part.No Fiyat Euro.-

Composition Male NPT Valve 1/8"	227.02	
---------------------------------	--------	--

Composition Male NPT Valve 1/4"	227.03	
---------------------------------	--------	--

Double Connector Kit 1/4"



Composition Length 270 mm

14 Segments - 1 Double Socket - 2 Connector Npt

Model Part.No Fiyat Euro.-

Composition Connector Npt 1/8"	227.07	
--------------------------------	--------	--

Composition Connector Npt 1/4"	227.08	
--------------------------------	--------	--

Composition 1/2" Male NPT Valve



Composition Length 350 mm

12 Segments - 1 Male NPT Valve - 1 Round Nozzle 5-8 mm

Model Part. No Fiyat Euro.-

Composition 1/2" Male NPT Valve	227.05	
---------------------------------	--------	--

Composition 3/8" Male NPT Valve	227.38 M/F	
---------------------------------	------------	--

Composition 1/2" Female NPT Valve



Composition Length 350 mm

12 Segments - 1 Female NPT Valve - 1 Round Nozzle 5-8 mm

Model Part. No Fiyat Euro.-

Composition 1/2" Female NPT Valve	227.04	
-----------------------------------	--------	--

Composition 3/8" Female NPT Valve	227.38 F/F	
-----------------------------------	------------	--

Double Connector Kit 1/2"



Composition Length 300 mm

11 Segments - 1 Double Socket - 2 Connectors npt

Model Part. No Fiyat Euro.-

Composition Connector Npt 1/2"	227.09	
--------------------------------	--------	--

Composition Connector Npt 3/8"	227.38	
--------------------------------	--------	--

This item consists of a permanent magnetic base which retains its position even in the presence of heavy vibrations of the machine. Resistance to corrosion from oils & die-electric substances.

Plastic Magnetic Bases 1/4"

Article Description	Part.No	Fiyat Euro.-
Nr 1 Magnetic Base	227.89	
Nr 1 Barb Fitting		
Nr 2 Caps 1/4"		



Plastic Magnetic Bases 1/4" 1 Segment

Article Description	Part.No	Fiyat Euro.-
Nr 1 Magnetic Base	227.90	
Nr 1 Barb Fitting		
Nr 1 Segment 1/4" 310 mm Length		
Nr 1 1/4" Male NPT Valve		
Nr 1 Round Nozzle Q1,5 - 3 - 5 mm		



Plastic Magnetic Bases 1/4" 2 Segment Flexible

Article Description	Part.No	Fiyat Euro.-
Nr 1 Magnetic Base	227.99	
Nr 1 Barb Fitting		
Nr 1 Segment 1/4" 310 mm Length		
Nr 2 1/4" Male NPT Valve		
Nr 2 Round Nozzle Q1,5 - 3 - 5 mm		



Magnetic Distributor 1/2"

Distributor Magnetic

Article Description	Part.No	Fiyat Euro.-
Nr 1 Magnetic Distributor	227.87	
Nr 1 Barb Fitting		
Nr 3 1/2" Female NPT Valve		



Distributor Magnetic 3 Segments Flexible

Article Description	Part.No	Fiyat Euro.-
Nr 1 Magnetic Distributor	227.88	
Nr 1 Barb Fitting		
Nr 3 1/2" Female NPT Valve		
Nr 3 Flexible Segment 1/2" 320 mm Length		
Nr 3 Connector Npt 1/2"		
Nr 3 Round Nozzle Q 5 - 8 mm		



Magnetic Base 1/4" Segments Flexible

Article Description	Part.No	Fiyat Euro.-
Nr 1 Magnetic Base	227.85	
Nr 1 Barb Fitting		
Nr 1 Flexible Segment 1/2" 320 mm Length		
Nr 1 1/2" Female NPT Valve		
Nr 1 Connector Npt 1/2"		
Nr 2 Round Nozzle Q 5 - 8 mm		
Nr 1 Caps 1/2"		



Magnetic Base 1/4" 2 Segments Flexible

Article Description	Part.No	Fiyat Euro.-
Nr 1 Magnetic Base	227.86	
Nr 1 Barb Fitting		
Nr 2 Flexible Segment 1/2" 320 mm Length		
Nr 2 Connector Npt 1/2"		
Nr 2 1/2" Female NPT Valve		
Nr 2 Round Nozzle Q 5 - 8 mm		



TUBOFLEX

Coolant Hose System

REACH **ROHS**
The new EU chemicals legislation COMPLIANT



Material Certifications

Material: Acetal Copolymer(POM)

Certifications :

- . FDA (FOOD APPROVALS)
- . NSF/ANSI STANDARD 61 (Drinking Water System Components)
- . UL LABORATORIES CERTIFIED
- . WRAS (Water Regulations)



Technical Data

Internal Dimensions

Model	Diameter
System 1/4"	7 mm
System 1/2"	12 mm

Technical Data

Model	Pressure	Range
System 1/4"	4 / 6 Bar	15 l / min
System 1/2"	1,5 / 4 Bar	30 l / min

Temperatures

Melting Point	165
Maximum Working Temperatures	80

All Tuboflex product are in accordance with the directives

REACH
The new EU chemicals legislation

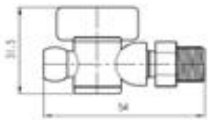
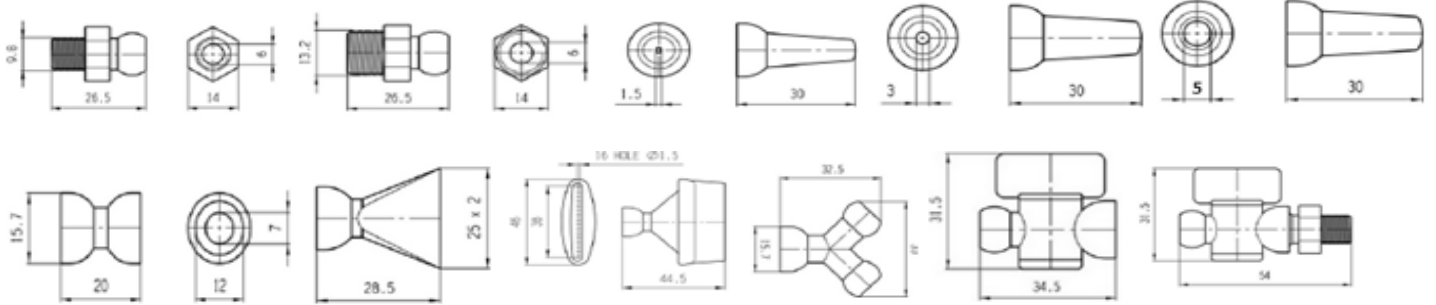
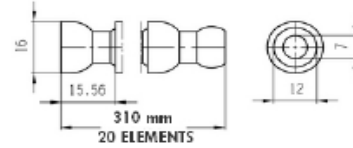
ROHS
COMPLIANT

Compatibility

Food	Yes	
Acetone	Yes	
Acids		No
Commercial Detergents	Yes	
Sodium Hypochlorite		No
Lubricants	Yes	
Oils	Yes	
Greases	Yes	
Water>40°		No
Gasoline	Yes	
Sodium Hydroxide	Yes	
Alcohol Etilic	Yes	

Dimensions System 1/4"
 System 1/4"

Article Description	Part.No
Flexible Segment 1/4" 310 mm Length (20 Elements)	225.01
Flexible Segment 1/4" 1 m Length (66 Elements)	225.11
Segment Length 7,5 m Coil 1/4" (495 Elements)	225.75
Segment Length 15 m Coil 1/4" (990 Elements)	225.15



STANDARD COLOURS

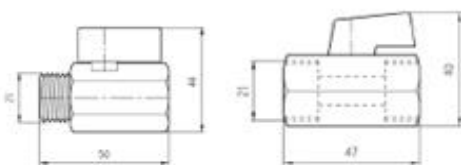
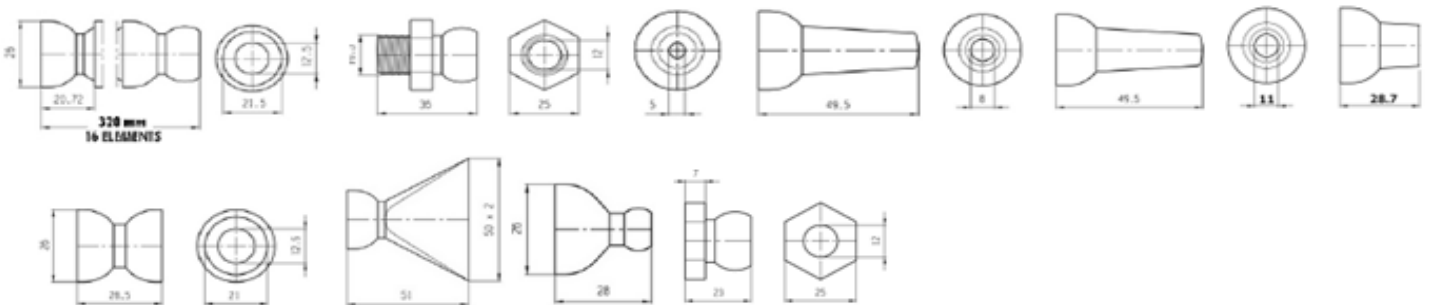
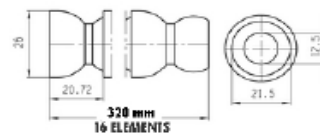


STANDARD COLOURS



Dimensions System 1/2"
 System 1/2"

Article Description	Part.No
Flexible Segment 1/2" 320 mm Length (16 Elements)	225.07
Flexible Segment 1/2" 1 m Length (51 Elements)	225.12
Segment Length 7,5 m Coil 1/2" (384 Elements)	225.70
Segment Length 15 m Coil 1/2" (765 Elements)	225.17



STANDARD COLOURS



STANDARD COLOURS

